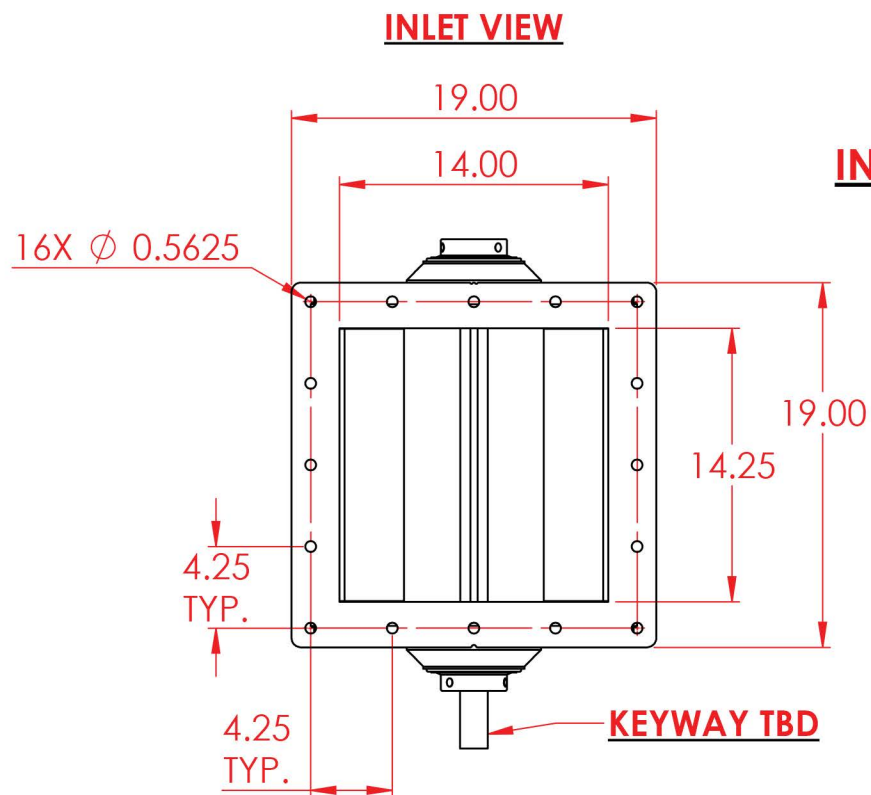


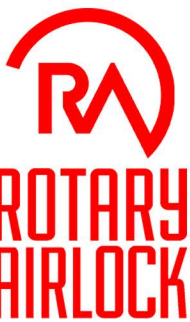
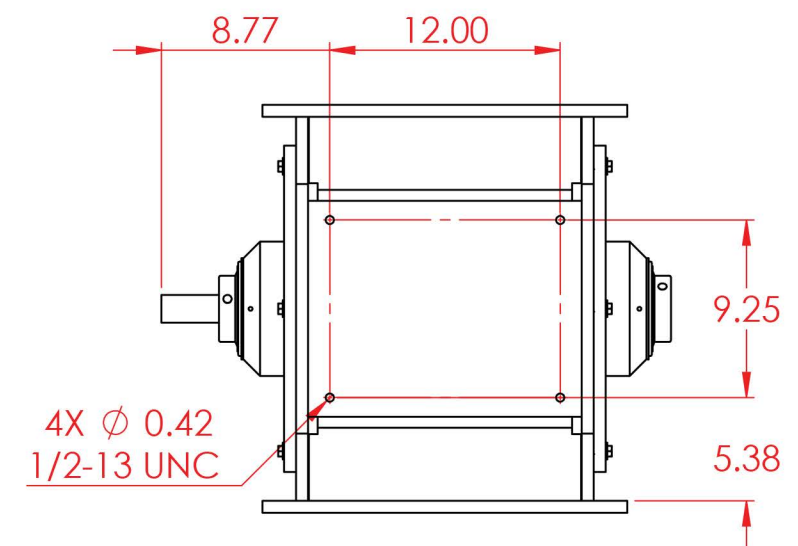
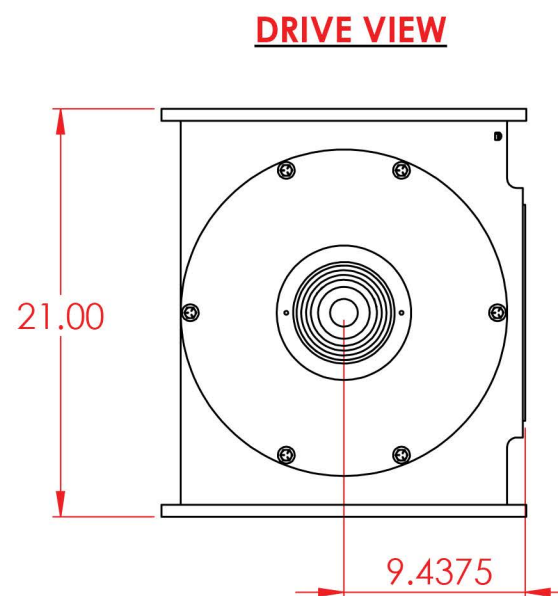
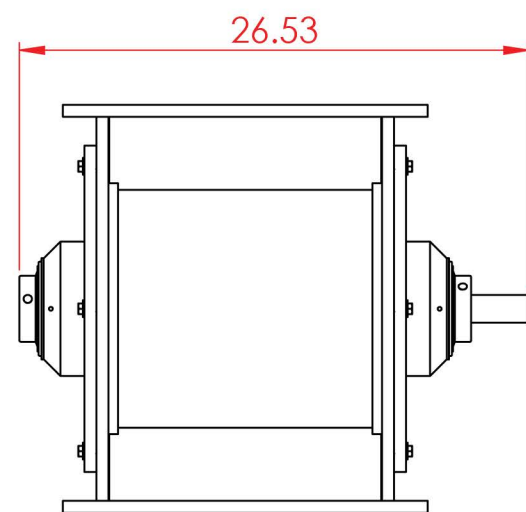
- Represented model, package, and parts are strictly for visual reference.

- Additional sizes, colors, and variations may be available.

- Pricing is subject to change at any time for any reason. Pricing is shown at current amounts at time of this document's creation.



**INLET/OUTLET FLANGES
ARE IDENTICAL**



SDI-79
14x14

FOR INFORMATIONAL PURPOSES ONLY
www.RotaryAirlock.com | (815) 626-0388
Info@RotaryAirlock.com