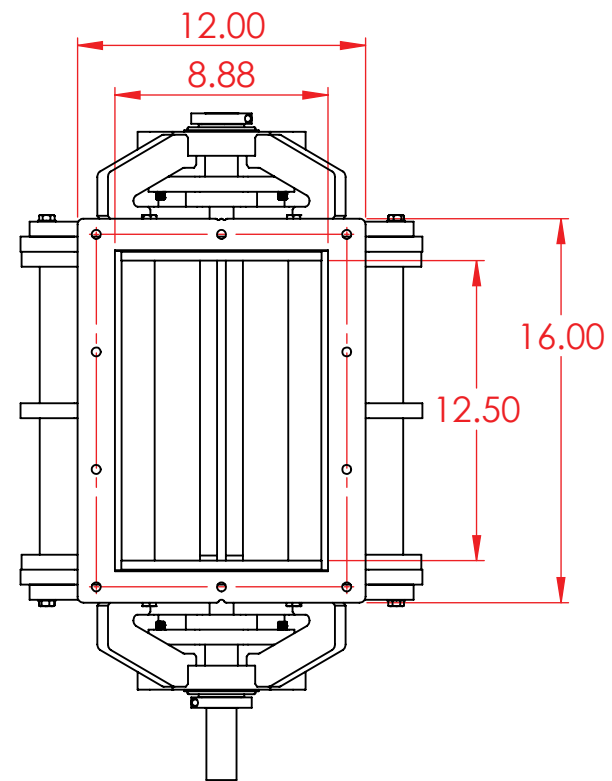


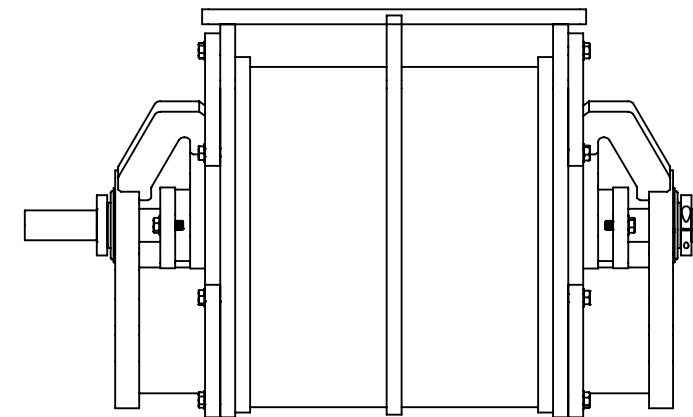
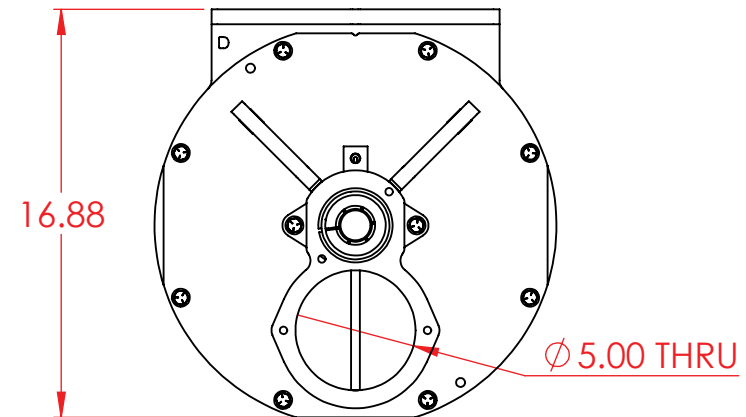
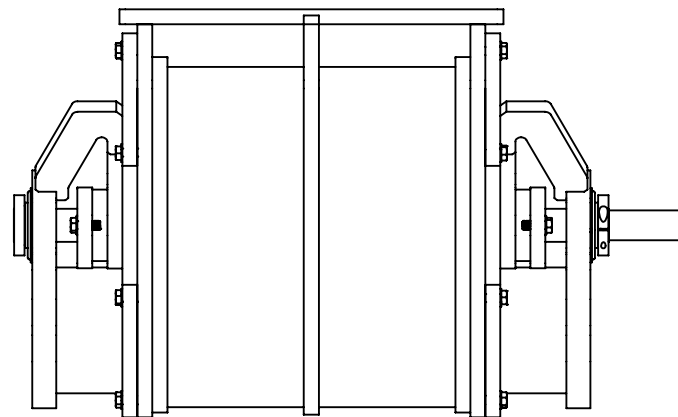
**INLET VIEW**



**NO OUTLET VIEW**



**DRIVE VIEW**



KYLE HERREN  
DIRECT LINE: 815.564.1717  
ROTARY AIRLOCK: 800.883.8955  
KHERREN@ROTARYAIRLOCK.COM

**RAS SBO-151 1314 5IN  
RA# 00000**

**SUBMITTED FOR CUSTOMER REVIEW/APPROVAL**